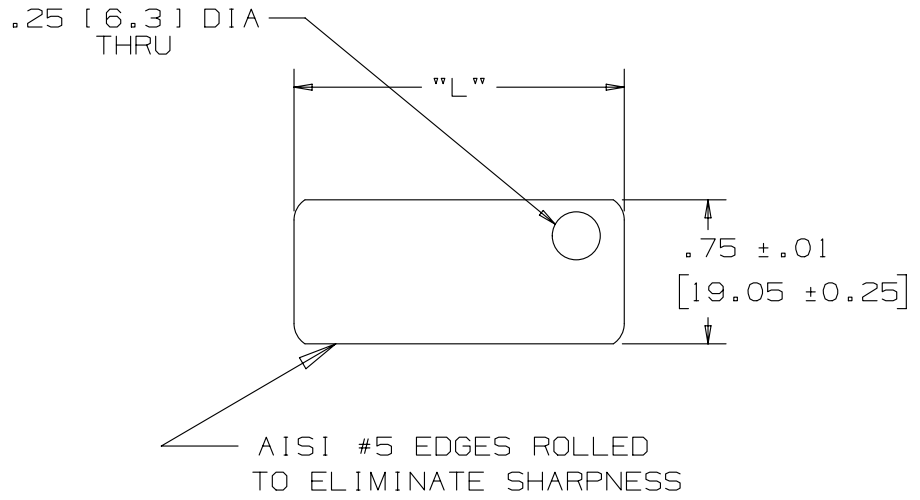
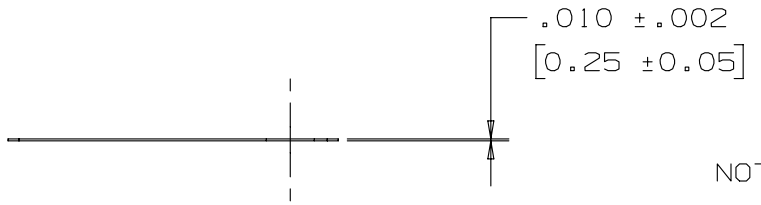


THIS COPY IS PROVIDED ON A RESTRICTED BASIS AND IS NOT TO BE USED IN ANY WAY DETRIMENTAL TO THE INTERESTS OF PANDUIT CORP.




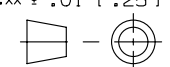
PANDUIT PART NUMBER	MATERIAL	PACKAGE QUANTITY	LENGTH = "L" ± .02
MT172-C	304 SS	100	1.72 [43]
MT172-C316	316 SS	100	1.72 [43]
MT350-C	304 SS	100	3.50 [89]
MT350-C316	316 SS	100	3.50 [89]



NOTES:

- BRACKETS [] DENOTES DIMENSIONS IN MILLIMETERS
- CUSTOM PERMANENT MARKING AVAILABLE CONSULT FACTORY
- TOLERANCES:
 .XXX = ±.010 [.25]
 .XX = ±.02 [.5]
 .X = ±.03 [.8]
 ANGLES = ±2°

REV	DATE	BY	CHK	APR	DESCRIPTION	ECN
03A	3/13	JAMB	MIM	RGRO	UPDATE DRAWING TO NEW PANDUIT GLOBAL TITLE BLOCK WITH PANDUIT LOGO	SSECN01031
02	5/02	JAMB	JAC	JAC	MATERIAL FOR PART NUMBER MT172-C & MT350-C WAS 302 SS	09145
01	1/01	KMD	JAC	JAC	MT172-C316 WAS MT172-316C, MT350-C316 WAS MT-316C. CAD FILE SPEC WAS NPC-S41084_00	09062
00	11/91	SM	JAC	LA	RELEASED	00679

TITLE		METAL TAGS - 1 HOLE	
CUSTOMER DRAWING			
ITEM REVISION NAME		N41064BS/03	
DATASET FILE NAME		N41064BS_DC/03A	
UNLESS OTHERWISE SPECIFIED, DIMENSIONAL TOLERANCES ARE: IN [mm]		 PANDUIT MATERIAL: STAINLESS STEEL DRAWING NUMBER: N41064BS_DC	
.x ± .1 [2.54] .xxx ± .005 [.127] .xx ± .01 [.25] ANGLES ± 5 °			
		THIRD ANGLE PROJECTION	
DRAWN BY	DATE	CHK	SCALE
SAM	11/11/91	JAC	1:1
SHT 1 OF 1			SIZE A